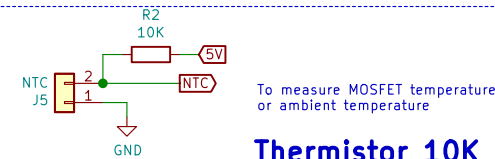


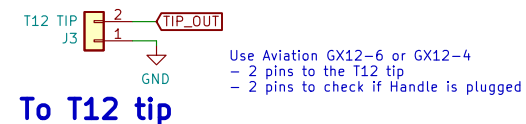
POWER SUPPLY



DATA PORTS

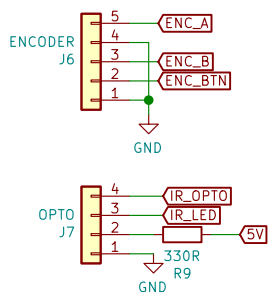


Thermistor 10K

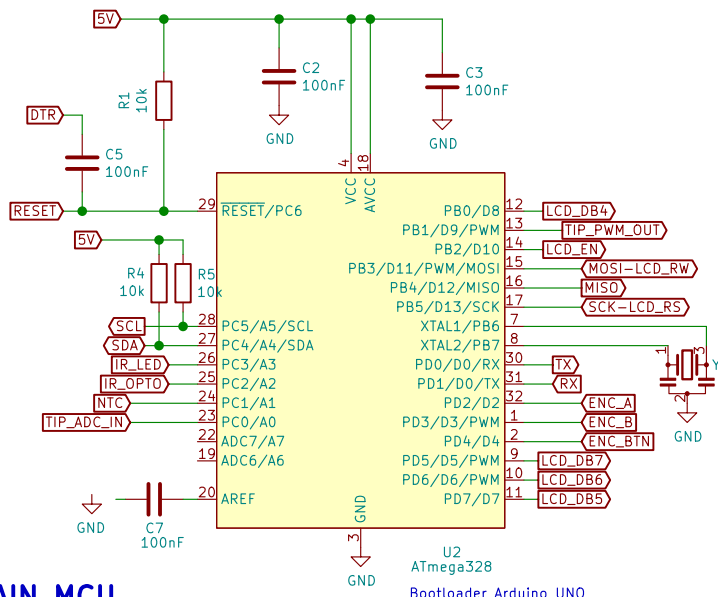


To T12 tip

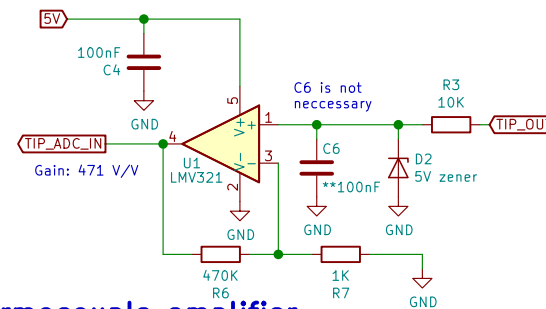
Use Aviation GX12-6 or GX12-4
 - 2 pins to the T12 tip
 - 2 pins to check if Handle is plugged



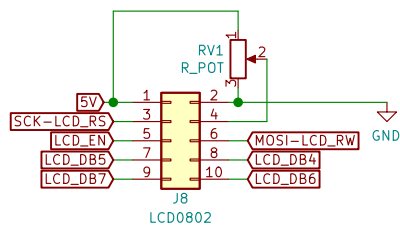
USER CONTROL



MAIN MCU

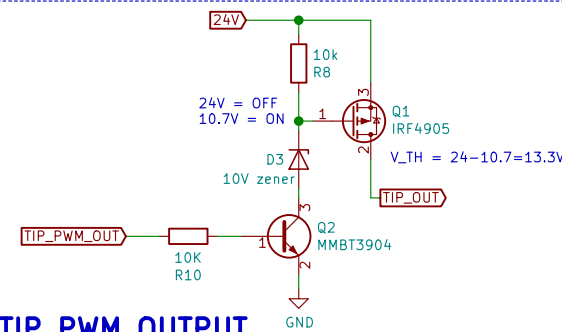
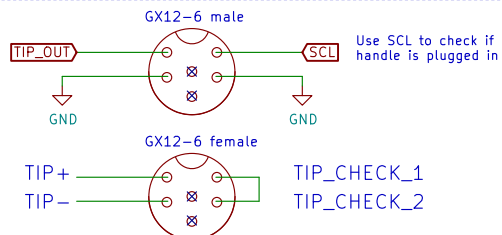


Thermocouple amplifier



LCD

DB0 to DB3 on LCD0802 are not used



T12 TIP PWM OUTPUT

ceezblog.info

Sheet: /
 File: SolderStation.sch

Title: T12 Solder Station v0.1

Size: A4 Date: 2020-11-30
 KiCad E.D.A. kicad (5.1.6)-1

Rev: v0.1
 Id: 1/1